



Präzisions-WINKEL-Rolle
Typ PR
Axialrolle fest

Vorteil:

- weniger Spiel zwischen Rolle und Profil

Nachschmierbarkeit für Rollen PR 4.054 - PR 4.064



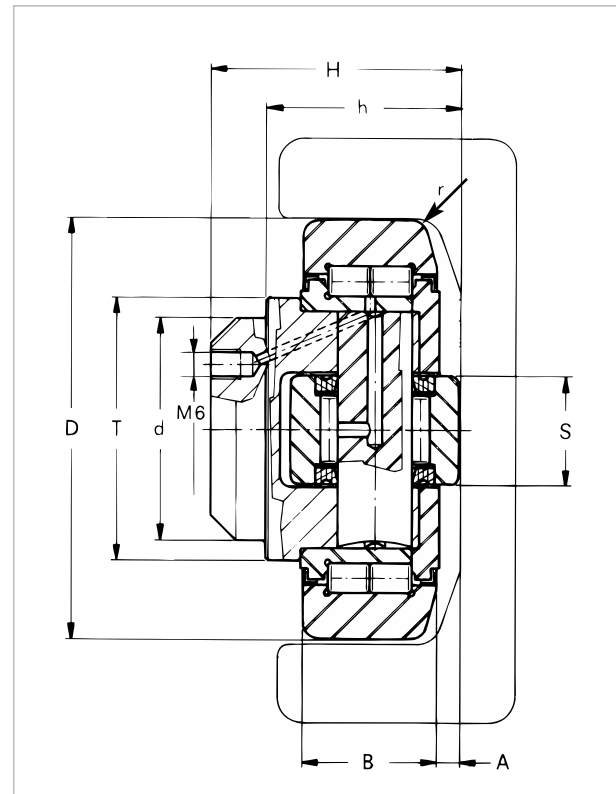
Abb. exemplarisch
fig. exemplary


Precision WINKEL Bearing
Type PR
axial bearing fixed

Advantage:

- less clearance between bearing and profile

Relubrication for types PR 4.054 - PR 4.064



 Nachschmiersysteme für WINKEL-Rollen
Lubrication systems for WINKEL bearings
(Seite/page 140)



Axiale Justierung über Steckbleche
Adjustment of bearings with screw-axial adjustment of plug trays



CAD Download in 2D/3D unter www.winkel.de

CAD download in 2D/3D at www.winkel.de

Typ Type	Artikel-Nr. Article no.	D -0.1 [mm]	T [mm]	d -0.05 [mm]	H [mm]	h [mm]	B [mm]	A [mm]	S [mm]	r [mm]
PR 4.054	200.100.000	64,8	42	30	37,5	30,5	20	2,5	20	3
PR 4.055	200.101.000	73,8	48	35	44,0	36,0	23	2,5	22	4,5
PR 4.056	200.102.000	81,8	54	40	48,0	36,5	23	3,0	26	4,5
PR 4.058	200.103.000	92,8	59	45	57,0	44,0	30	3,5	26	4
PR 4.061	200.104.000	111,8	71	60	69,0	55,0	31	4,0	34	5
PR 4.062	200.105.000	127,8	80	60	72,3	56,0	37	5,0	40	5
PR 4.063	200.106.000	153,8	103	60	77,5	58,5	45	5,5	50	5
PR 4.064	200.124.000	175,7	103	80	91,0	72,0	53	7,0	50	5

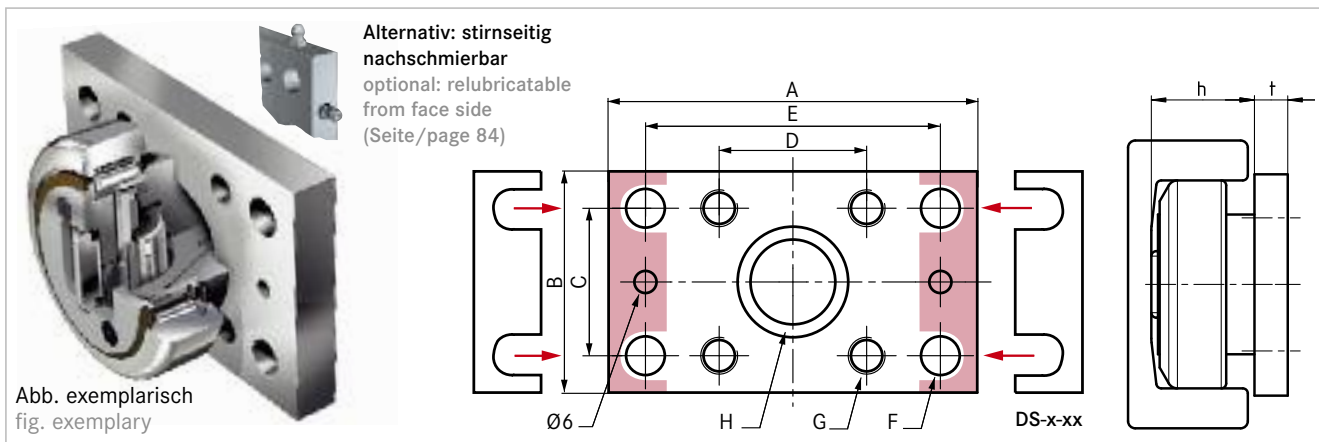
NEW

C = Dyn. Tragzahl Radiallager (ISO 281/1), C₀ = Stat. Tragzahl Radiallager (ISO 76)
C_A = Dyn. Tragzahl Axiallager (ISO 281/1), C_{0A} = Stat. Tragzahl Axiallager (ISO 76)
F_R = Tragzahl Radiallager zulässige Belastung zwischen Rolle und Profil
F_A = Tragzahl Axiallager zulässige Belastung zwischen Rolle und Profil



Passende Anschraubplatten

Suitable flange plates

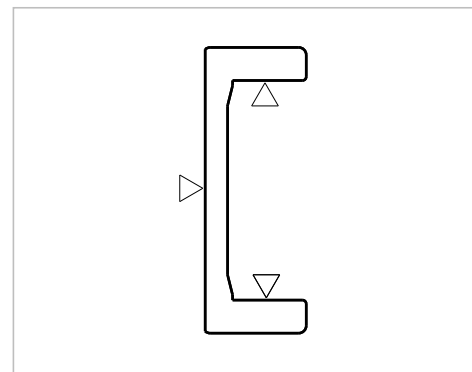
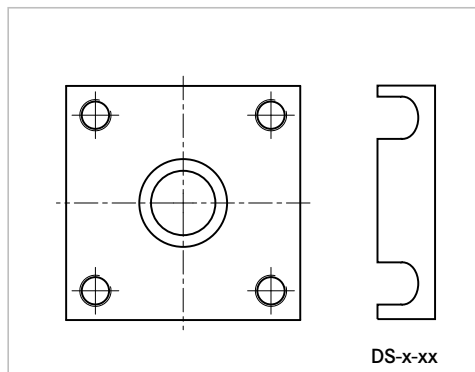


Typ Type	Artikel-Nr. Article no.	A [mm]	B [mm]	C [mm]	D [mm]	E [mm]	Ø F [mm]	G	Ø H [mm]	t [mm]	Distanzsteckblech 0,5mm Washer 0.5mm		Distanzsteckblech 1,0mm Washer 1.0mm	
AP 0	212.003.000	100	60	40	40	80	10,5	M10	30	10	DS-0-0,5	238.020.000	DS-0-1,0	238.020.001
AP 1	212.004.000	120	80	50	50	90	12,5	M12	35	15	DS-1-0,5	238.021.000	DS-1-1,0	238.021.001
AP 2	212.005.000	120	80	50	50	90	12,5	M12	40	15	DS-2-0,5	238.021.000	DS-2-1,0	238.021.001
AP 3.1	212.006.001	160	100	60	60	120	17,0	M16	45	20	DS-3.1-0,5	238.105.000	DS-3.1-1,0	238.105.001
AP 4	212.007.001	180	120	80	80	140	17,0	M16	60	20	DS-4-0,5	238.023.000	DS-4-1,0	238.023.001
AP 6	212.008.000	200	150	100	100	160	17,0	M16	60	20	DS-6-0,5	238.024.000	DS-6-1,0	238.024.001

Abstreifer Seite 88
Wiper page 88

Anschraubplatten quadratisch Reihe AP-Q S. 90
Flange plates square series AP-Q page 90

Profile Seite 66
Profiles page 66



Typ Type	F _R [kN]	F _A [kN]	C [kN]	C ₀ [kN]	C _A [kN]	C _{0A} [kN]	Gewicht kg Weight kg	Anschraubplatten Flange plates			Profile Profiles
PR 4.054	10,30	3,20	31,0	35,5	11	11	0,55	AP0	AP0-LUB	AP0-Q	PR 0 NbV
PR 4.055	12,40	3,87	45,5	51,0	13	14	0,85	AP1	AP1-LUB	AP1-Q	PR 1 NbV
PR 4.056	12,90	4,00	48,0	56,8	18	18	1,10	AP2	AP2-LUB	AP2-Q	PR 2 NbV
PR 4.058	22,40	7,00	68,0	72,0	23	23	1,70	AP3.1	AP3.1-LUB	AP3-Q	PR 3 NbV
PR 4.061	23,80	7,44	81,0	95,0	31	36	2,95	AP4	AP4-LUB	AP4-Q	PR 4 NbV
PR 4.062	33,90	10,60	110,0	132,0	43	50	4,10	AP4	AP4-LUB	AP4-Q	PR 5 NbV
PR 4.063	59,20	18,50	151,0	192,0	68	71	6,85	AP6	AP6-LUB	AP6-Q	PR 6 NbV
PR 4.064	72,00	18,50	262,7	471,1	96	145	11,04	-	-	AP89-Q	PR 7 NbV

C = Dynamic load capacity radial bearing (ISO 281/1), C₀ = Static load capacity radial bearing (ISO 76)
 C_A = Dynamic load capacity axial bearing (ISO 281/1), C_{0A} = Static load capacity axial bearing (ISO 76)
 F_R = Load capacity radial bearing max. allowable force between bearing and profile
 F_A = Load capacity axial bearing max. allowable force between bearing and profile